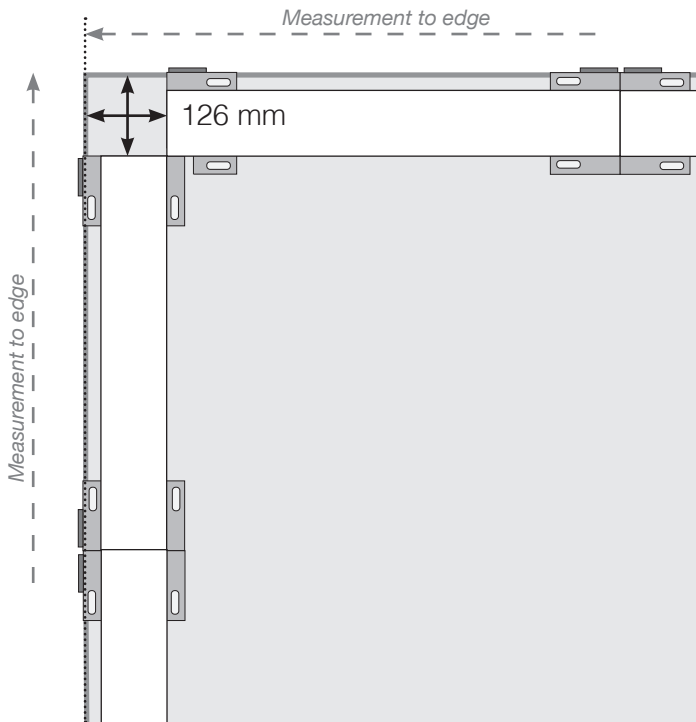


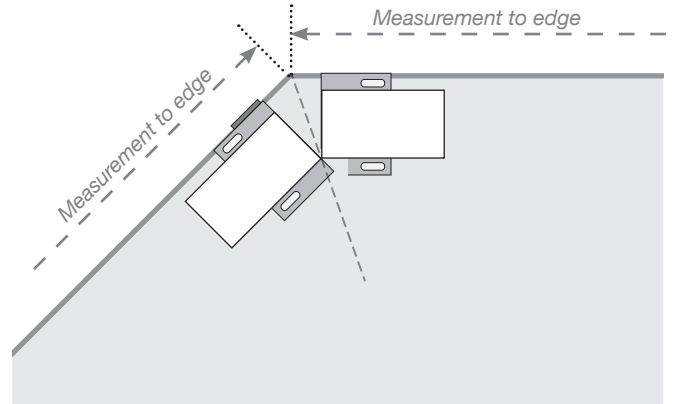
MEASUREMENT TEMPLATE

PLACING - ALU FLEX BALCONY SUPPORT

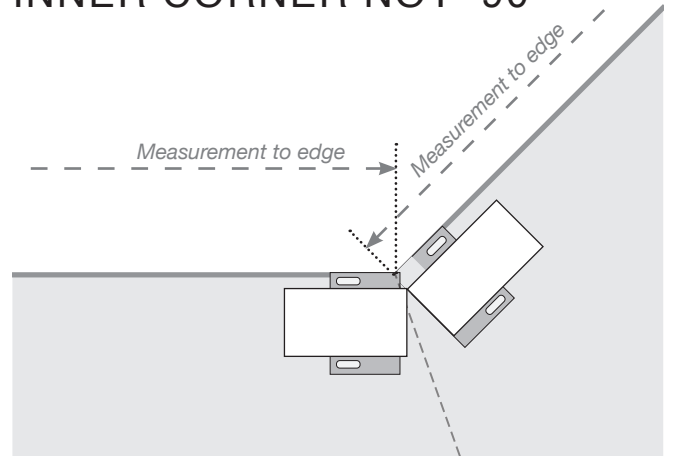
OUTER CORNER



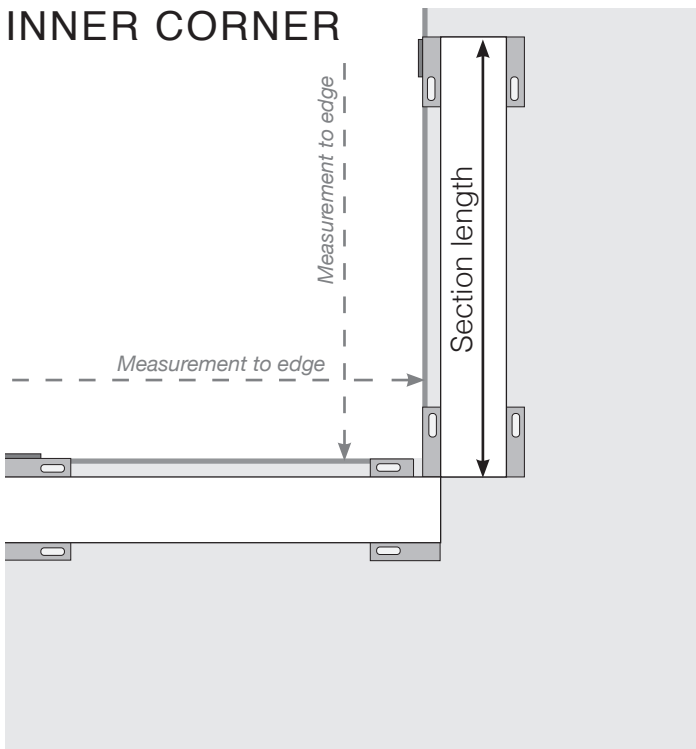
OUTER CORNER NOT 90°



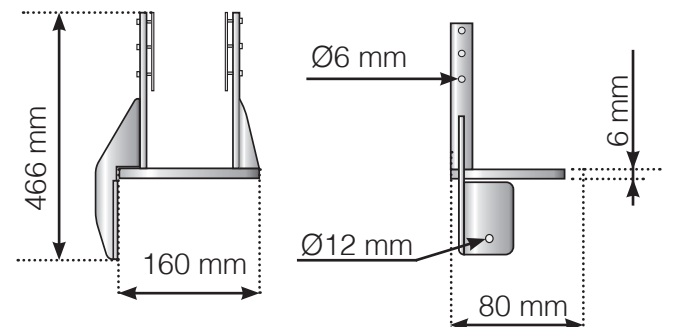
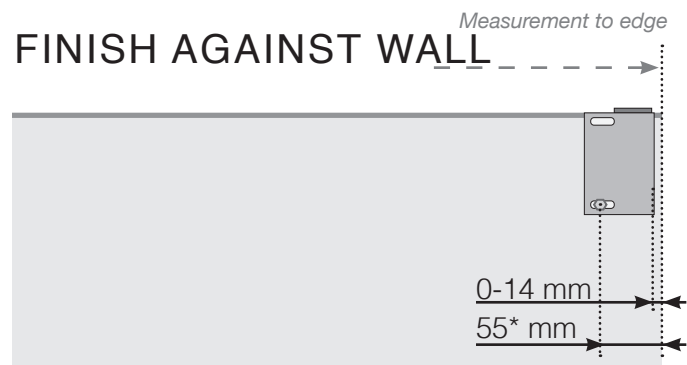
INNER CORNER NOT 90°



INNER CORNER



FINISH AGAINST WALL



* From centrum of the screw to the wall.

Note that the drawings are not to scale

© Räckesbutiken Sweden AB - <https://www.balustradestore.eu>
2022-03-14 v.1.0