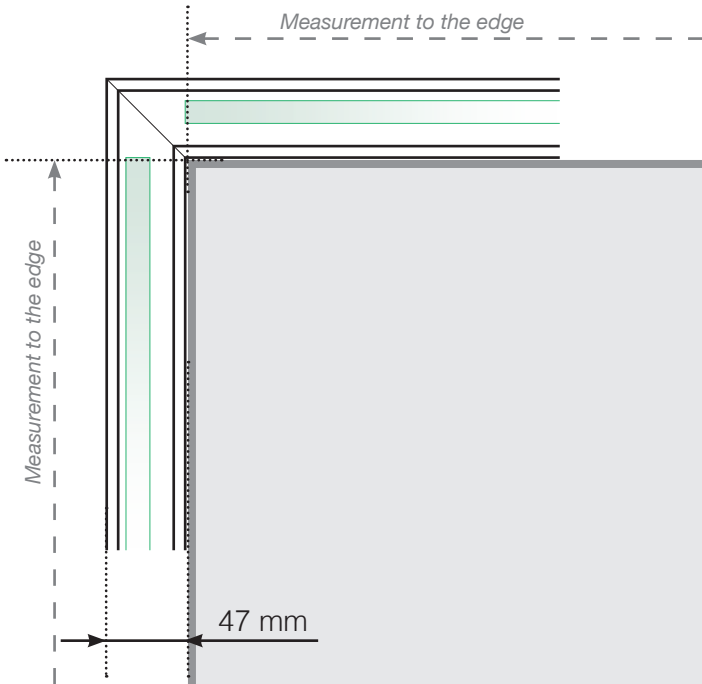


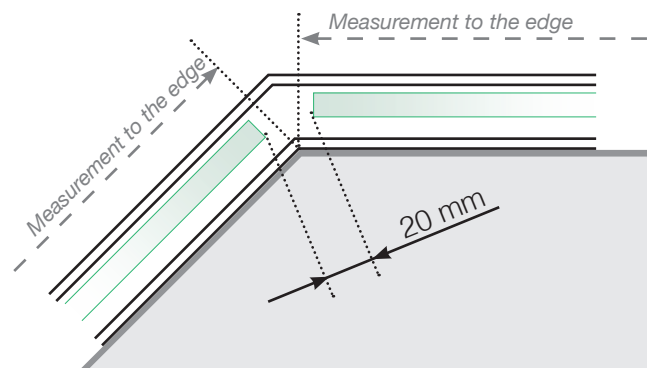
# MEASUREMENT DIAGRAM

PLACEMENT - POST-FREE RAIL ON TOP  
WOOD

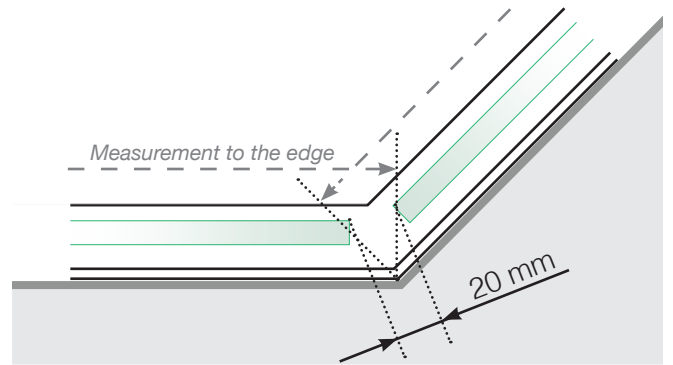
## OUTER CORNER



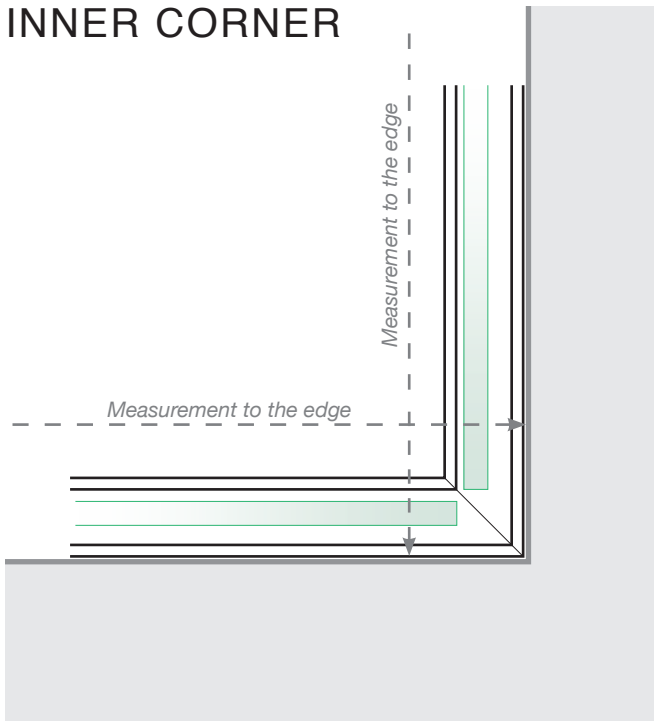
## OUTER CORNER NOT



## INNER CORNER NOT 90°

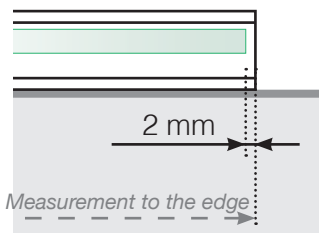


## INNER CORNER

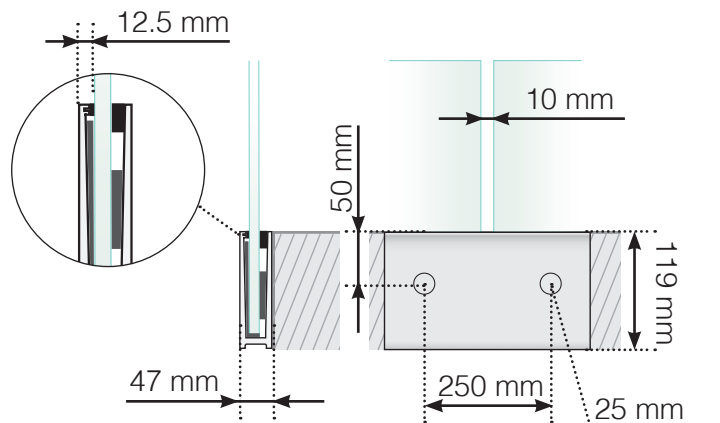
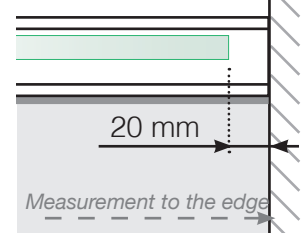


## END

Free-standing



By the wall



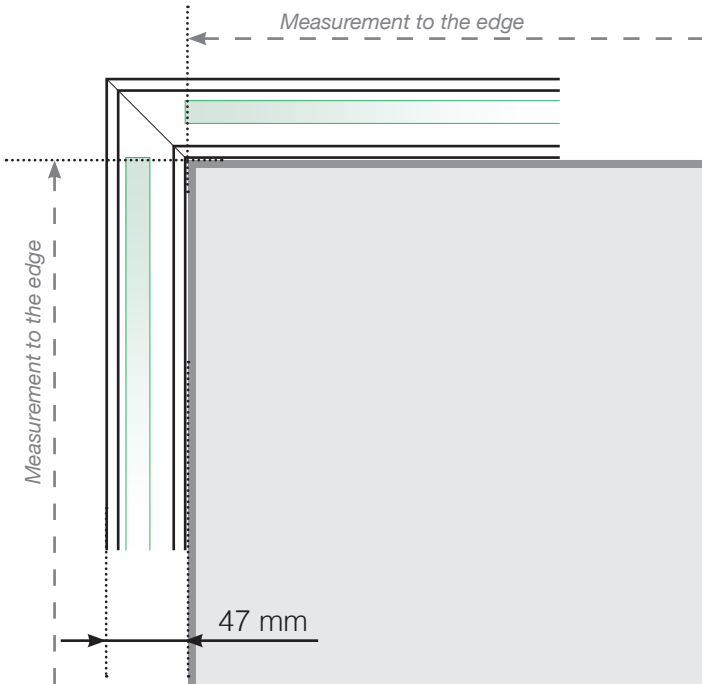
Please note that drawings are not to scale

© Räckesbutiken Sweden AB - [www.balustradestore.eu](http://www.balustradestore.eu)  
2022-10-10 v.1.0

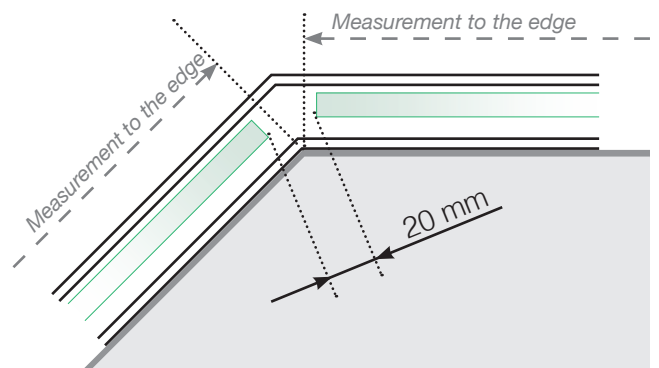
# MEASUREMENT DIAGRAM

PLACEMENT - POST-FREE RAIL ON TOP  
MOUNTING ON THE CONCRETE SUBSTRATE

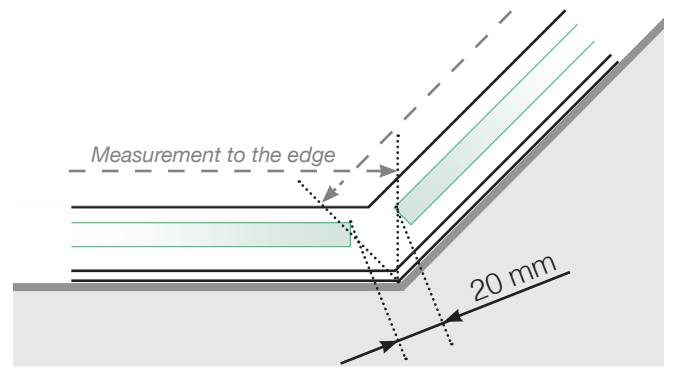
## OUTER CORNER



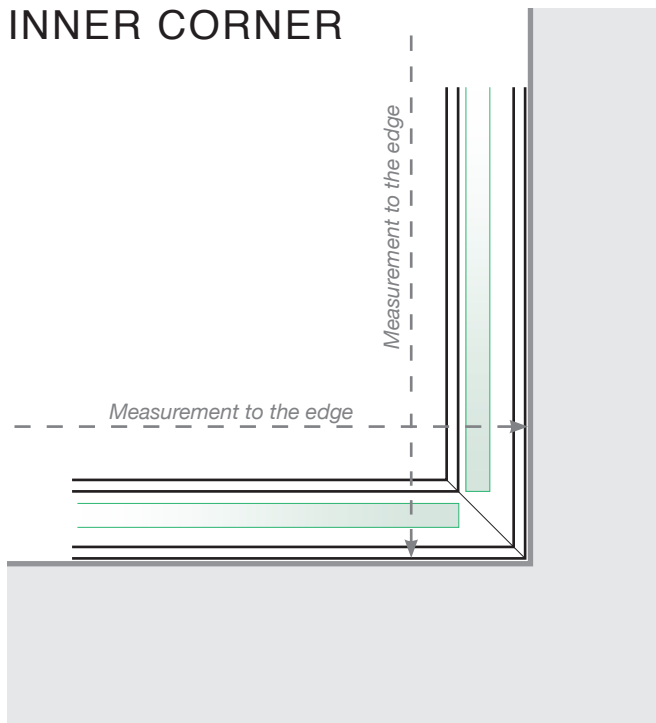
## OUTER CORNER NOT 90°



## INNER CORNER NOT 90°

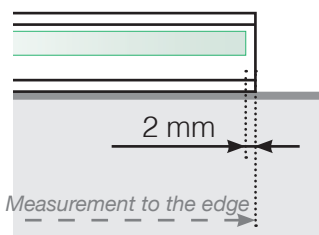


## INNER CORNER

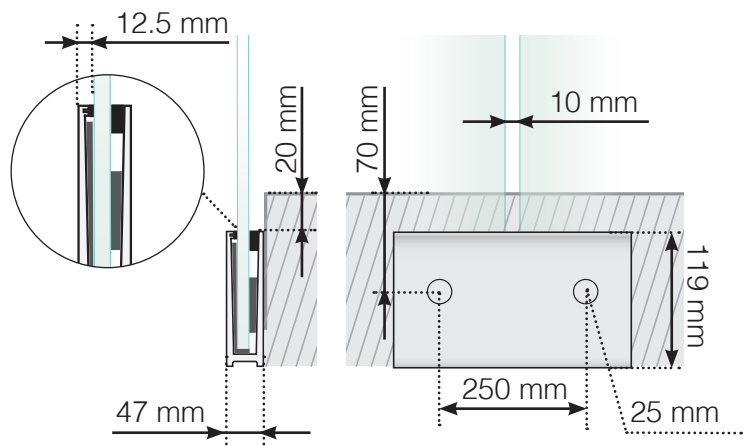
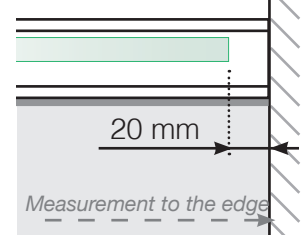


## END

Free-standing



By the wall



Please note that drawings are not to scale

© Räckesbutiken Sweden AB - [www.balustradestore.eu](http://www.balustradestore.eu)  
2022-10-10 v.1.0