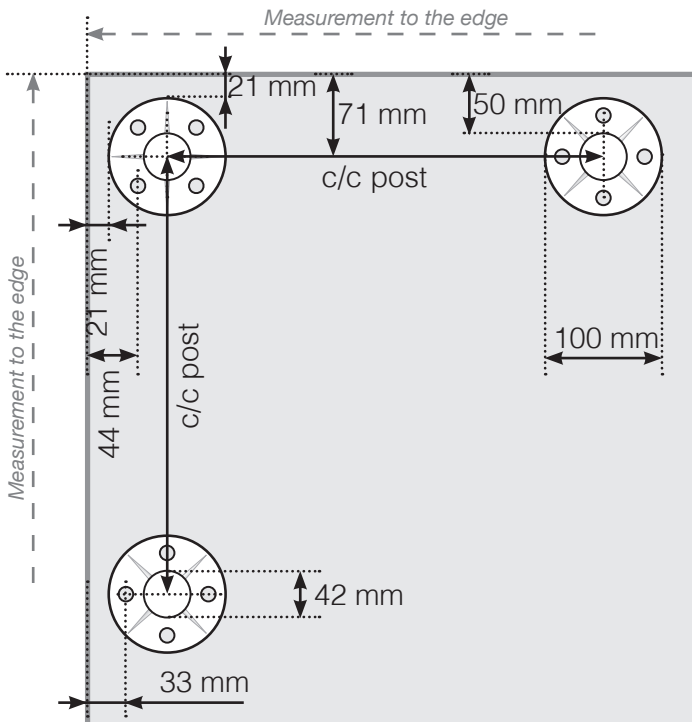


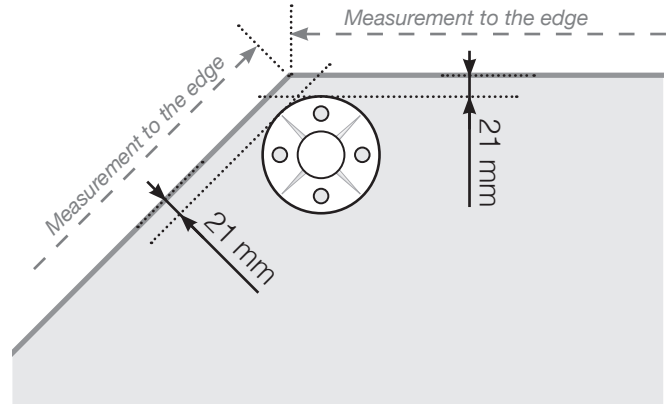
MEASUREMENT DIAGRAM

PLACEMENT - STAINLESS STEEL POSTS WITH FOOT
MOUNTING ON WOOD

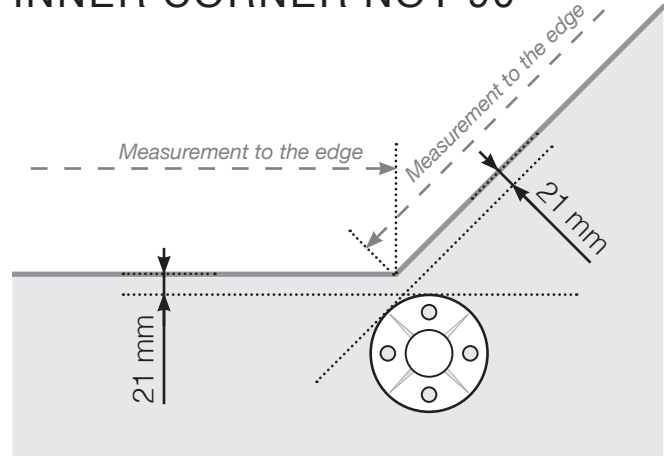
OUTER CORNER



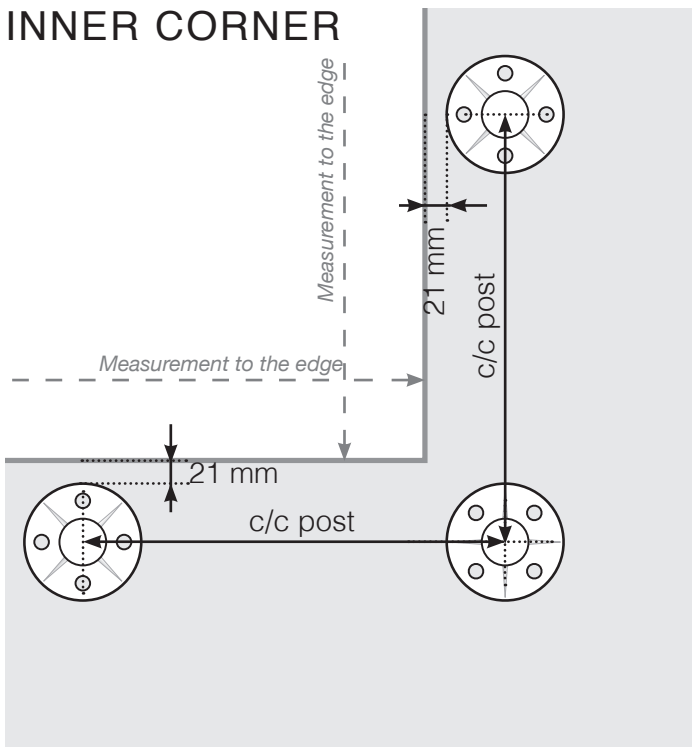
OUTER CORNER NOT 90°



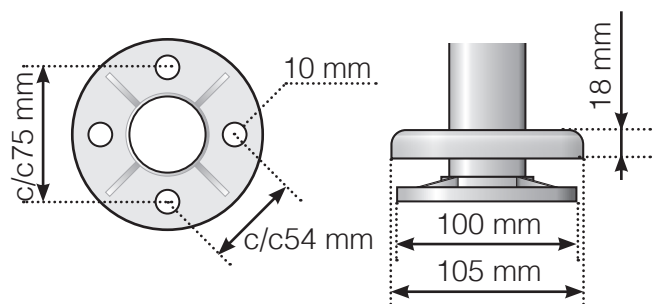
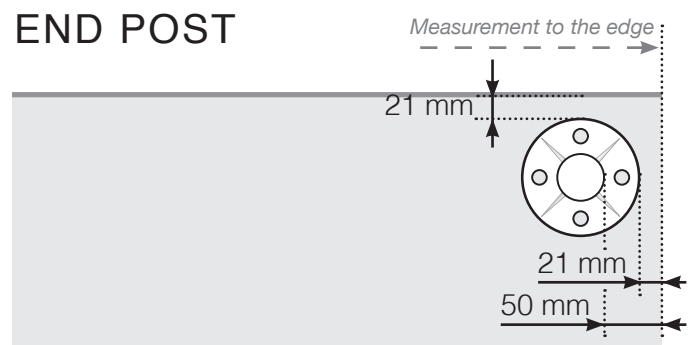
INNER CORNER NOT 90°



INNER CORNER



END POST



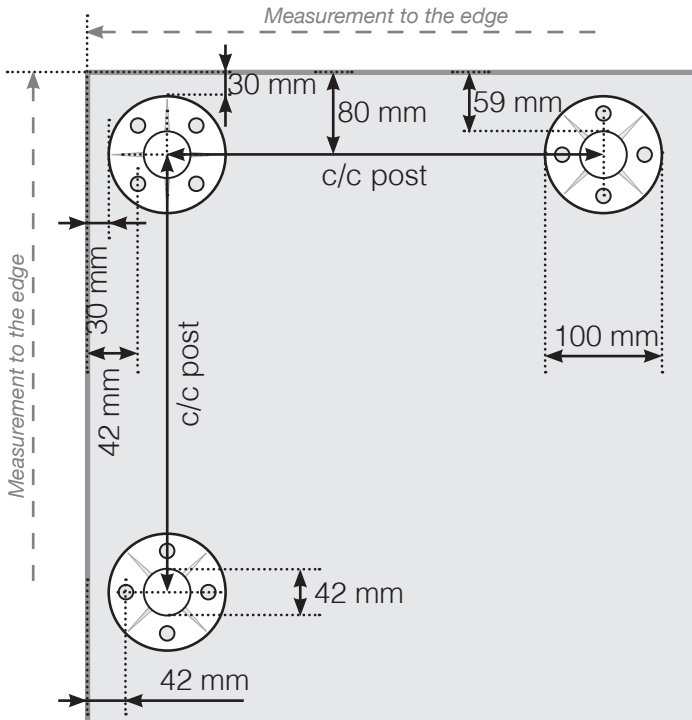
Please note that drawings are not to scale

© Räckesbutiken Sweden AB - www.balustradestore.eu
2022-10-10 v.1.0

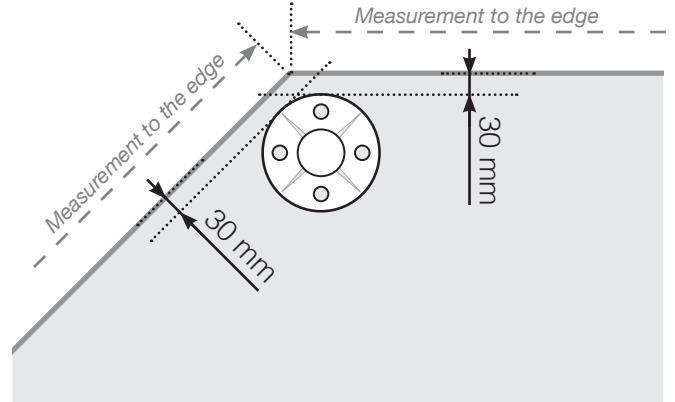
MEASUREMENT DIAGRAM

PLACEMENT - STAINLESS STEEL POSTS WITH FOOT
MOUNTING ON CONCRETE

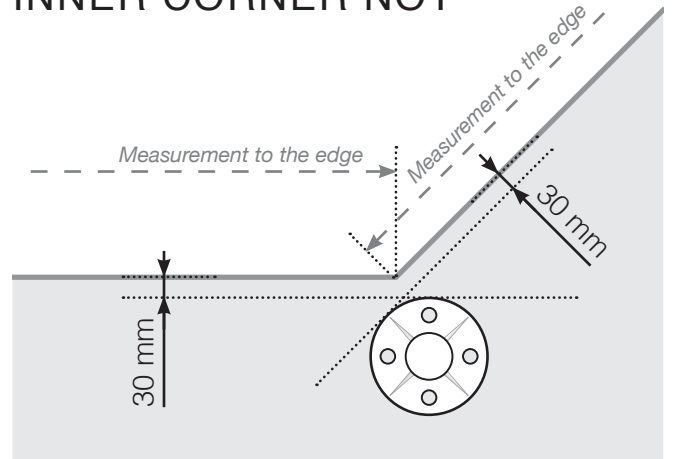
OUTER CORNER



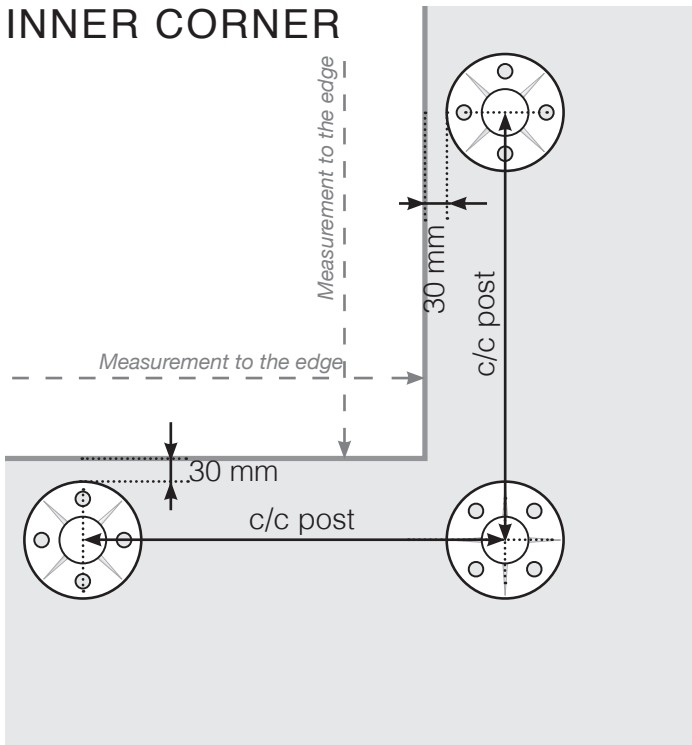
OUTER CORNER NOT 90°



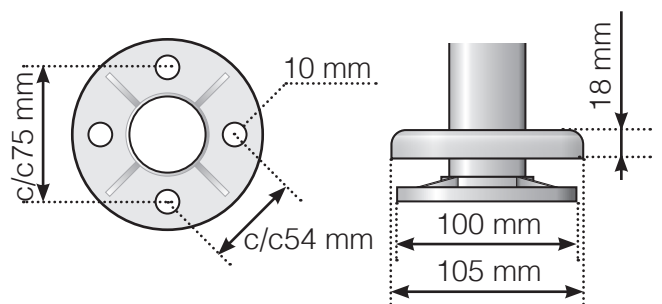
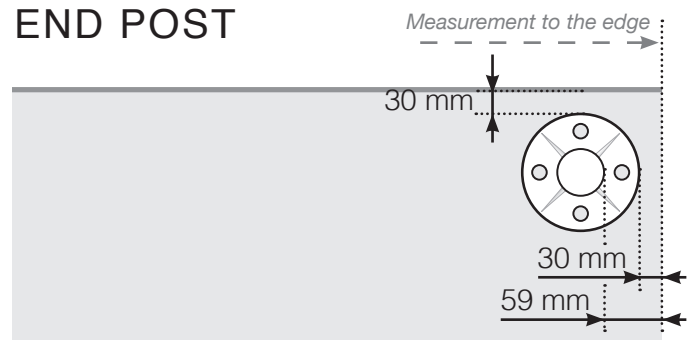
INNER CORNER NOT



INNER CORNER



END POST



Please note that drawings are not to scale

© Räckesbutiken Sweden AB - www.balustradestore.eu
2022-10-10 v.1.0



BALUSTRADESTORE.EU