

# SCREW INFORMATION

---

Each railing is unique to us at Räckesbutiken. In order to create the best possible attachment for your railing, we do not use a universal screw, but choose the one that fits your railing best.

When you configure your railing, we select which screw fits best and then send the screw and accessories to you.

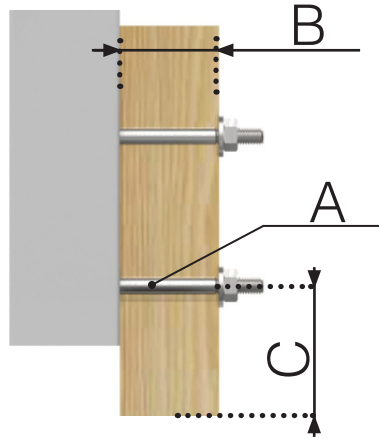
To see which screw your railing has, click on to overview in the configurator and look below “Screw”.

Below you can see which screws we use and which may be relevant for your railing.

# THROUGH BOLT

## SCREW SCREW INFORMATION

---



SKRA4GBM8X90



Dimensions (A) : M8x90mm  
Min/Max attachment deth (B): 45-70 mm  
Minimum distance from edge (C): 25 mm  
Bit: Socket wrench 13 mm

SKRA4GBM12X90



Dimensions (A) : M12x90mm  
Minimum attachment depth (B): 140 mm  
Minimum distance from edge (C): 25 mm  
Bit: Socket wrench 19 mm

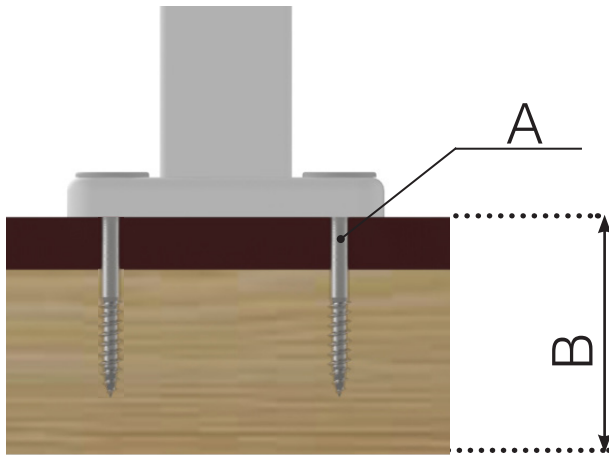
---

Please note that the drawings are not to scale

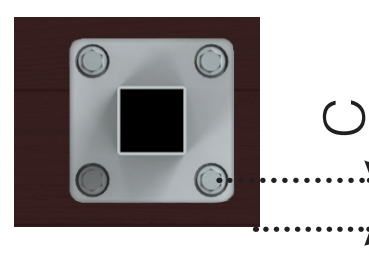
© Räckesbutiken Sweden AB - <https://www.balustradestore.eu/>  
2020-11-09 v. 2.0

# SCREW FOR WOOD

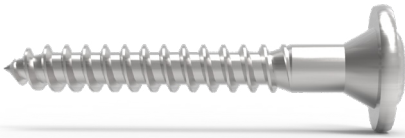
## SCREW INFORMATION



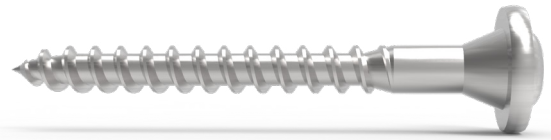
SKRWAF8X80



SKRWAF8X120



Dimensions (A) : 8x80mm  
Minimum attachment depth (B): 100 mm  
Minimum distance from edge (C): 25 mm  
Bit: Torx 40



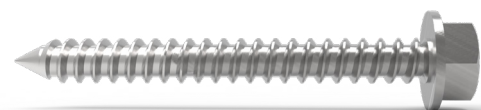
Dimensions (A) : 8x120mm  
Minimum attachment depth (B): 140 mm  
Minimum distance from edge (C): 25 mm  
Bit: Torx 40

SKRHEX8X75



Dimensions (A): 8x80mm  
Minimum attachment depth (B): 90 mm  
Minimum distance from edge (C) : 25 mm  
Bit: Socket wrench 13 mm

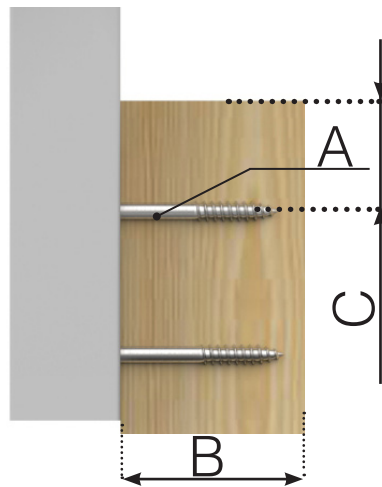
SKRHEX8X100



Dimensions (A): 8x80mm  
Minimum attachment depth (B): 115 mm  
Minimum distance from edge (C): 25 mm  
Bit: Socket wrench 13 mm

# SCREW FOR WOOD

## SCREW INFORMATION

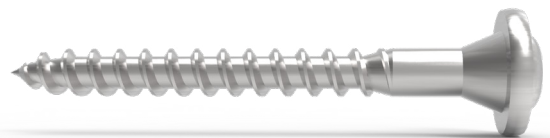


SKRWAF8X80

SKRWAF8X120



Dimensions (A) : 8x80mm  
Minimum attachment depth (B): 100 mm  
Minimum distance from edge (C): 25 mm  
Bit: Torx 40



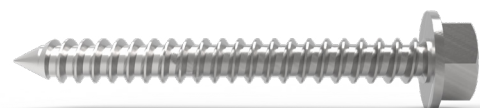
Dimensions (A) : 8x120mm  
Minimum attachment depth (B): 140 mm  
Minimum distance from edge (C): 25 mm  
Bit: Torx 40

SKRHEX8X75

SKRHEX8X100



Dimensions (A): 8x80mm  
Minimum attachment depth (B): 90 mm  
Minimum distance from edge (C) : 25 mm  
Bit: Socket wrench 13 mm



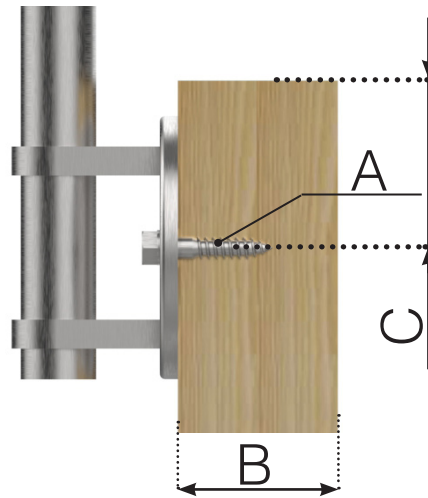
Dimensions (A): 8x80mm  
Minimum attachment depth (B): 115 mm  
Minimum distance from edge (C): 25 mm  
Bit: Socket wrench 13 mm

Please note that the drawings are not to scale

© Räckesbutiken Sweden AB - <https://www.balustradestore.eu/>  
2020-11-09 v. 2.0

# SCREW FOR WOOD

## SCREW INFORMATION

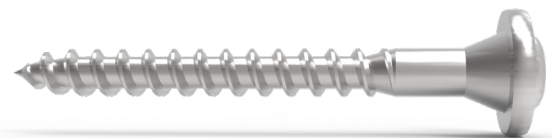


SKRWAF8X80

SKRWAF8X120



Dimensions (A) : 8x80mm  
Minimum attachment depth (B): 100 mm  
Minimum distance from edge (C) : 25 mm  
Bit: Torx 40



Dimensions (A) : 8x120mm  
Minimum attachment depth (B): 140 mm  
Minimum distance from edge (C): 25 mm  
Bit: Torx 40

SKRHEX8X75

SKRHEX8X100



Dimensions (A): 8x80mm  
Minimum attachment depth (B): 90 mm  
Minimum distance from edge (C) : 25 mm  
Bit: Socket wrench 13 mm



Dimensions (A): 8x80mm  
Minimum attachment depth (B): 115 mm  
Minimum distance from edge (C): 25 mm  
Bit: Socket wrench 13 mm

Please note that the drawings are not to scale

© Räckesbutiken Sweden AB - <https://www.balustradestore.eu/>  
2020-11-09 v. 2.0